



INDUSTRIAL SOLUTIONS

FICOPA (Recinto Ferial Gipuzkoa)
AVDA.IPARRALDE, 43 - ROOM 3
20302 IRUN-GIPUZKOA (SPAIN)

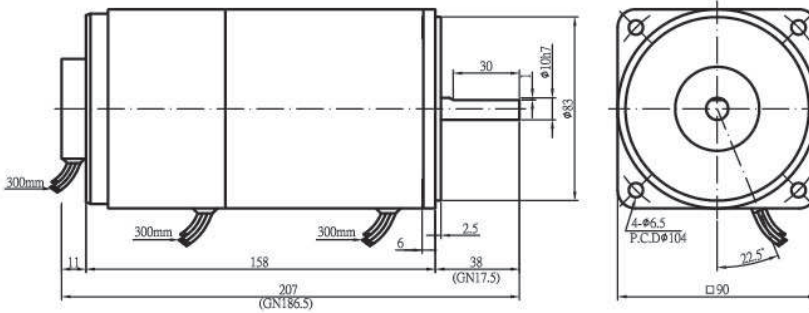
☎ 00 34 646 211965
✉ RCC@RCCINDUSTRIAL.COM
🌐 RCCINDUSTRIAL

WWW.RCCINDUSTRIAL.COM

ELECTRO-MAGNETIC VARIABLE SPEED BRAKE MOTOR

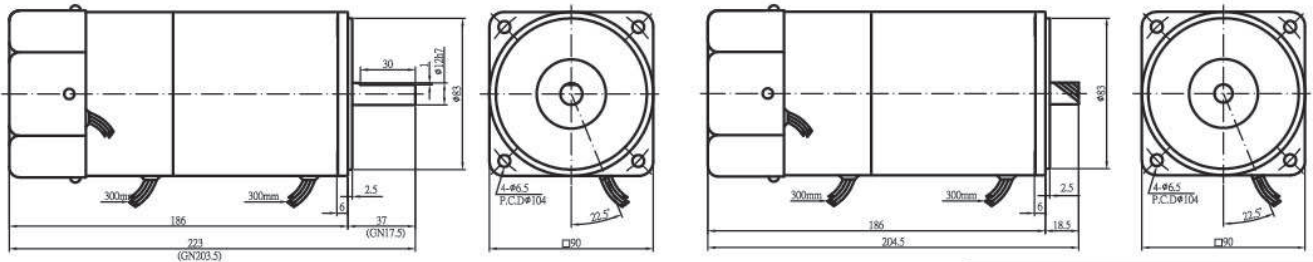
無段變速電磁剎車馬達

- 外形圖與規格表
- OUTLINE & SPECIFICATION
- 單位/UNIT : mm



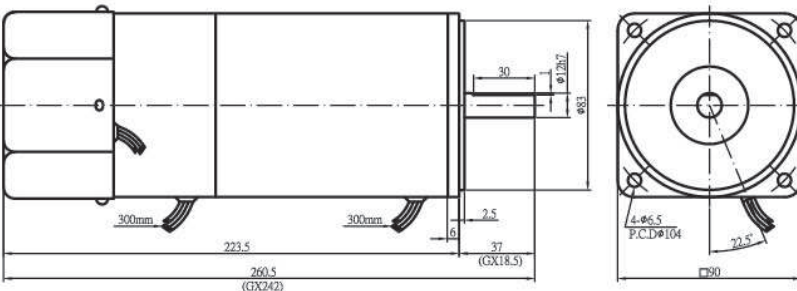
40W外型圖

40W機種名稱 TYPE	額定出力(W) RATED OUTPUT	電壓(V) VOLTAGE	頻率(HZ) FREQ.	極數(P) POLE	電流(A) CURRENT	調速範圍(rpm) ADJUSTABLE RANGE	起動轉矩(Kg.cm) STARTING TORQUE	容許轉矩(Kg.cm)/ 設定迴轉數 MAXIMUM TORQUE/ PRE-SET TURNINGS		電容器CAPACITOR WITH STAND VOLTAGE	
								1200rpm	90rpm	容量(μF) CAPACITY	耐電壓(VAC) WITHSTAND VOLTAGE
5IK40RA(GN)-AM	40	100/110	50/60	4	0.87/0.76	90~1400/90~1700	2.14/2.66	3.18/4.2	2.2/2.8	10	300
5IK40RA(GN)-CM	40	200/220	50/60	4	0.4/0.34	90~1400/90~1700	1.75/2.17	3.6/4.2	1.8/2.1	2.5	450
5IK40RA(GN)-CEM	40	230/240	50	4	0.32/0.32	90~1400	2.3/2.58	4.4/4.6	2.4/2.6	2.5	450



60W/60W-GX外型圖

60W/60W-GX機種名稱 TYPE	額定出力(W) RATED OUTPUT	電壓(V) VOLTAGE	頻率(HZ) FREQ.	極數(P) POLE	電流(A) CURRENT	調速範圍(rpm) ADJUSTABLE RANGE	起動轉矩(Kg.cm) STARTING TORQUE	容許轉矩(Kg.cm)/ 設定迴轉數 MAXIMUM TORQUE/ PRE-SET TURNINGS		電容器CAPACITOR WITHSTAND VOLTAGE	
								1200rpm	90rpm	容量(μF) CAPACITY	耐電壓(VAC) WITHSTAND VOLTAGE
5IK60RA(GN)-AFM 5IK60RGX-AFM	60	100/110	50/60	4	1.8/1.12	90~1400/90~1700	2.6/2.94	5.6/6.9	3.5/4.0	16	300
5IK60RA(GN)-CFM 5IK60RGX-CFM	60	200/220	50/60	4	0.64/0.54	90~1400/90~1700	3.62/4.41	5.9/6.9	4.6/4.4	4	450
5IK60RA(GN)-CEFM 5IK60RGX-CEFM	60	230/240	50	4	0.56/0.55	90~1400	4.1/5.22	6.17/7.2	4.37/5.2	4	450



90W外型圖

90W機種名稱 TYPE	額定出力(W) RATED OUTPUT	電壓(V) VOLTAGE	頻率(HZ) FREQ.	極數(P) POLE	電流(A) CURRENT	調速範圍(rpm) ADJUSTABLE RANGE	起動轉矩(Kg.cm) STARTING TORQUE	容許轉矩(Kg.cm)/ 設定迴轉數 MAXIMUM TORQUE/ PRE-SET TURNINGS		電容器CAPACITOR WITHSTAND VOLTAGE	
								1200rpm	90rpm	容量(μF) CAPACITY	耐電壓(VAC) WITHSTAND VOLTAGE
5IK90RA(GX)-AFM	90	100/110	50/60	4	1.5/1.41	90~1400/90~1700	4.76/5.86	8.4/10.2	5/6.1	22	250
5IK90RA(GX)-CFM	90	200/220	50/60	4	0.76/0.72	90~1400/90~1700	4.3/4.21	8/8.7	4.4/4.4	5	450
5IK90RA(GX)-CEFM	90	230/240	50	4	0.66/0.68	90~1400	4.93/5.08	9.8/10.2	5.2/5.6	5	450

Products due to human error, natural disasters or other factors lead to poor or damaged, will not be covered under warranty. 產品因人為原因或天災等因素導致不良或損壞，不在保固範圍內。

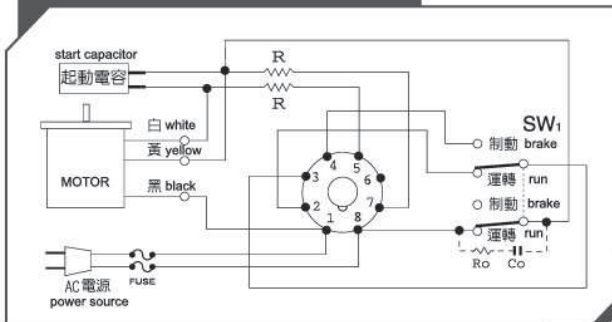
ELECTRONIC INSTANT BRAKE

電子式瞬時煞車器

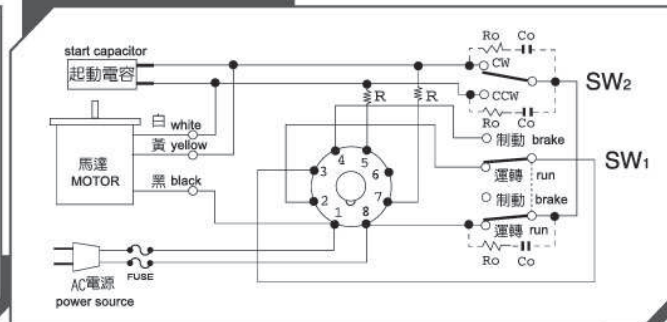
■ SB31-IN(單相110~125V) SINGLE PHASE 110~125V

■ SB32-IN(單相200~240V) SINGLE PHASE 200~240V

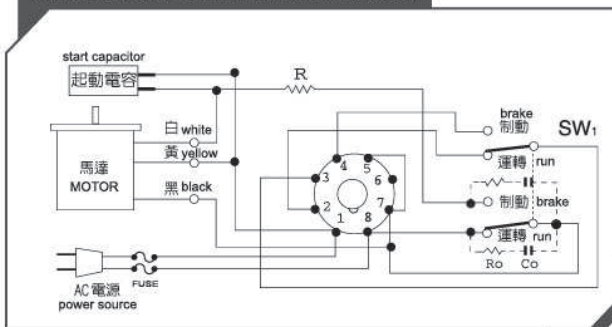
出力6W~25W，單一方向運轉
OUTPUT 6W~25W · SINGLE DIRECTION ROTATION



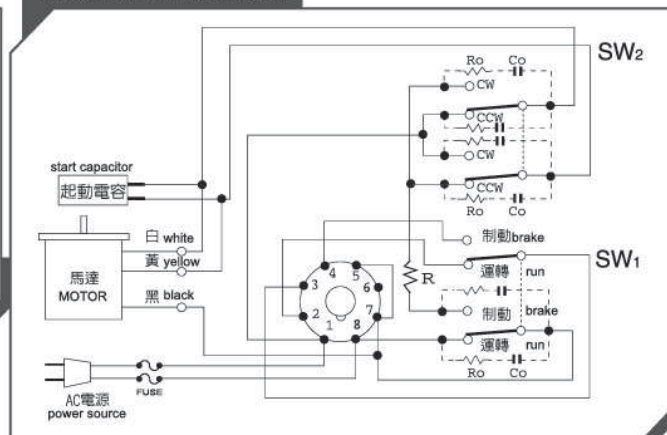
出力6W~25W，正逆轉
OUTPUT 6W~25W · REVERSIBLE



出力40W~90W，單一方向運轉
OUTPUT 40W~90W · SINGLE DIRECTION ROTATION

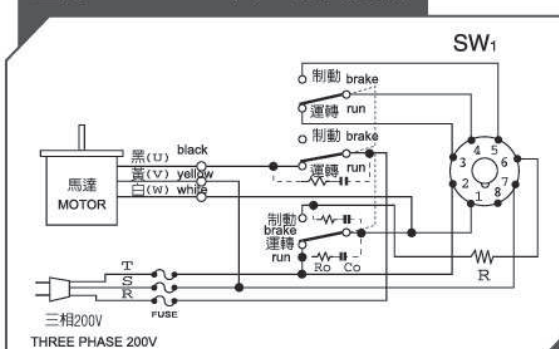


出力40W~90W，正逆轉
OUTPUT 40W~90W · REVERSIBLE

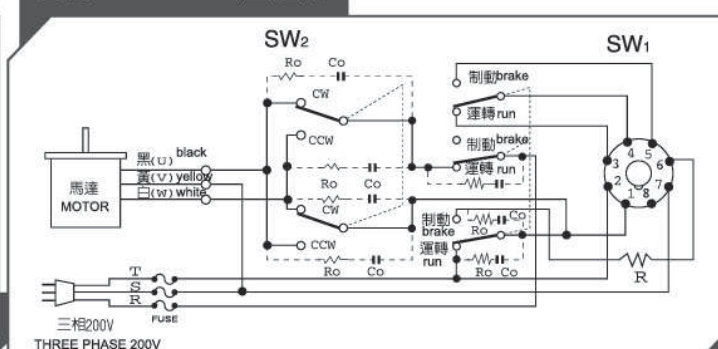


■ SB32S(三相200~240V) THREE PHASE 200~240V

出力25W~90W，單一方向運轉



出力25W~90W，正逆轉



■ 外接電阻之選擇 SELECTION OF EXTERNAL RESISTANCE

- 出力6W~25W的外接電阻為20W/20Ω。(品名：DDR20W20Ω)
- 在制動頻率很高的情況下，外接電阻的溫度會很熱，請改用30W/20Ω的外接電阻(品名：DDR30W/20Ω)
- 出力40W~90W的外接電阻為50W/50Ω。(品名：DDR50W50Ω)
- 在制動頻率很高的情況下，外接電阻的溫度會很熱，請改用80W/50Ω白勾外接電阻。(品名：DDR80W50Ω)
- Output 6W~25W: external resistance 20W/20Ω. (Model:DDR20W20Ω)
- In frequent braking situation, temperature of external resistance would be very high. please use external resistance 30W20Ω. (Model:DDR30W20Ω)
- Output 40W~90W: external resistance 50W/50Ω. (Model:DDR50W50Ω)
- In frequent braking situation, temperature of external resistance would be very high. please use external resistance 80W50Ω. (Model:DDR80W50Ω)

Products due to human error, natural disasters or other factors lead to poor or damaged, will not be covered under warranty. 產品因人為原因或天災等因素導致不良或損壞，不在保固範圍內。